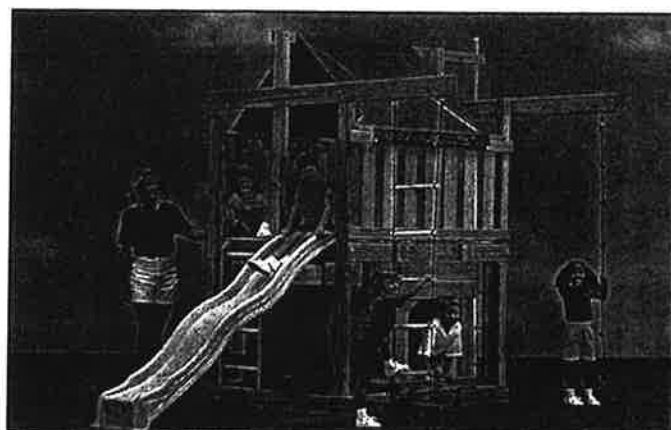
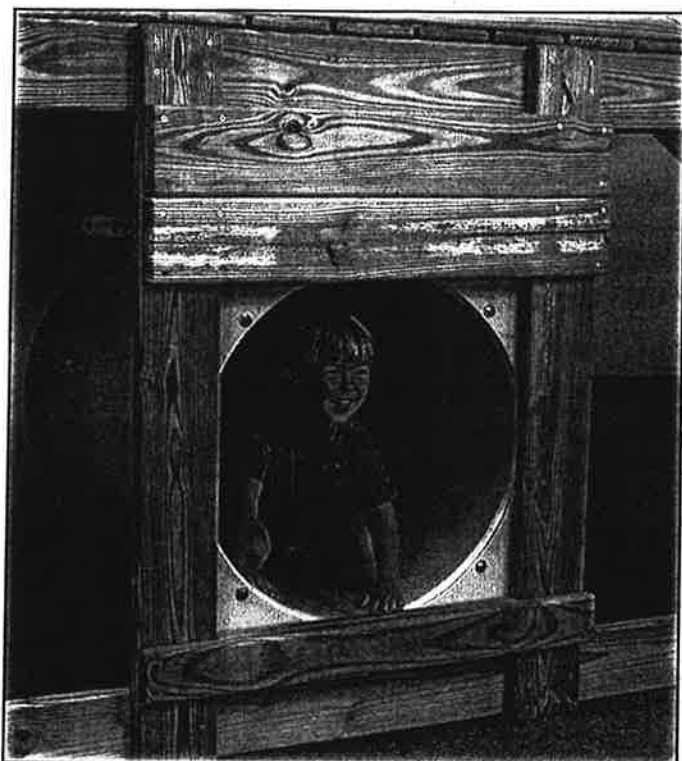


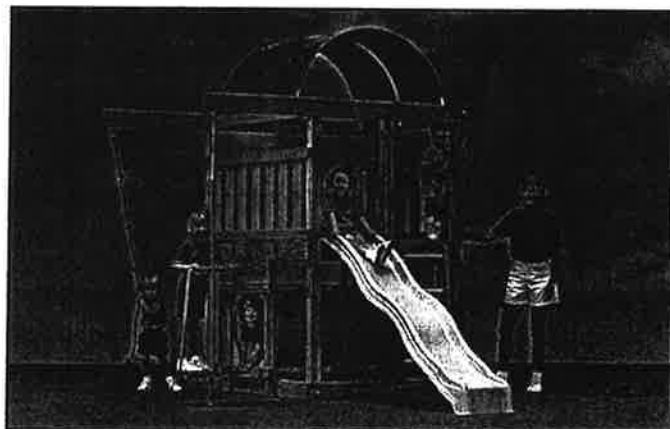
Swing-N-Slide®

Tower Tunnel

A complete guide for the assembly of the Tower Tunnel



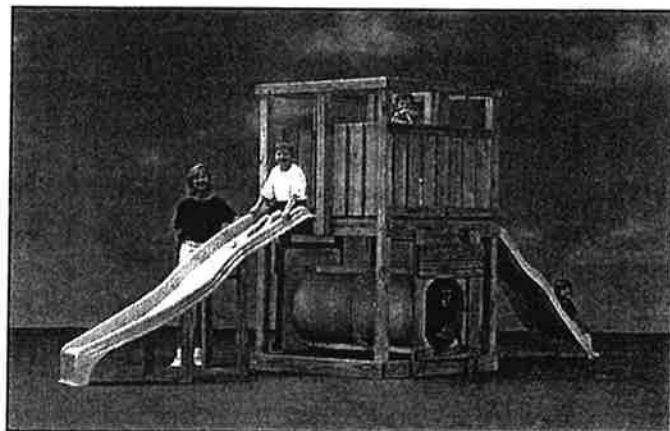
Eagles Nest Clubhouse with Tower Tunnel



Covered Wagon Corral with Tower Tunnel

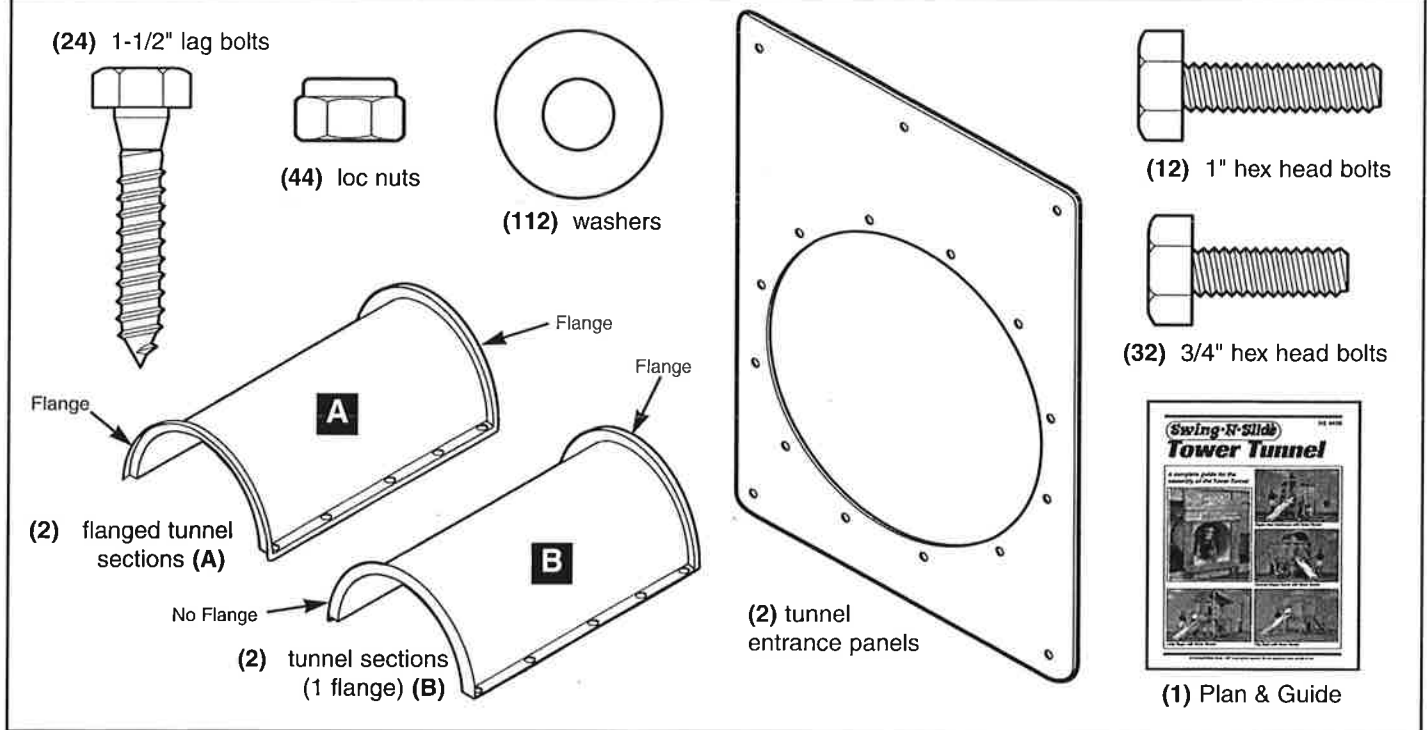


Jolly Roger with Tower Tunnel



Play Deck with Tower Tunnel

Kit Includes

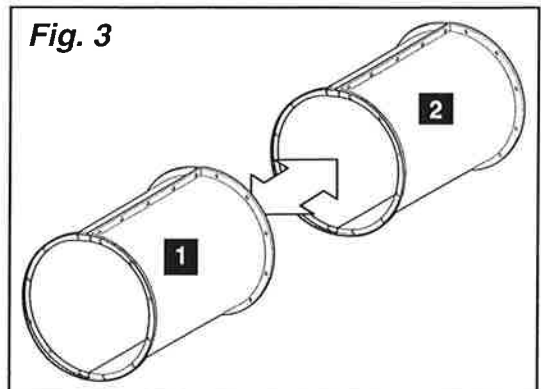
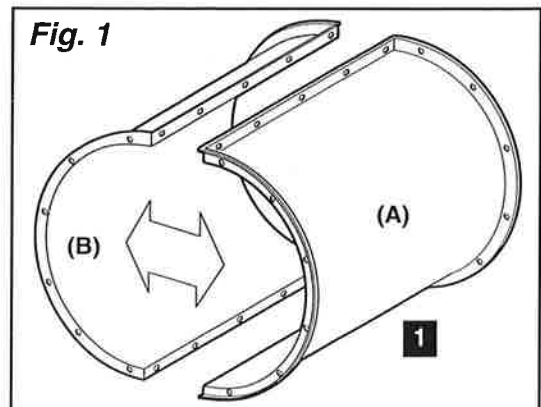
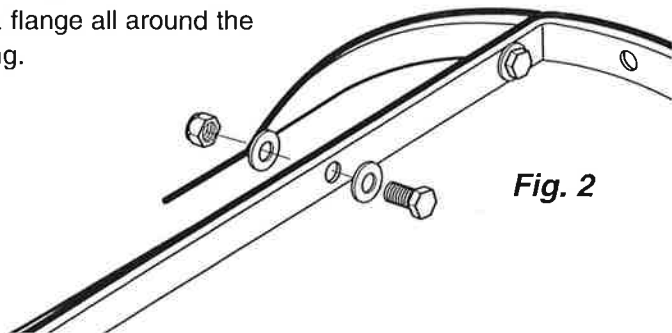


Tools Required: Circular Saw, Hand Saw, Drill, Phillips Head Bit, Socket Wrench, 1/2" Socket, 1/2" Wrench, Tape Measure, Hammer, Pliers, Square, Safety Glasses and Pencil

Assembly Instructions

(Twin Towers & Twin Towers Dynasty)

1. Identify each tunnel section as either (A) or (B). See illustrations above for identifying parts.
2. Align holes in section (A) with holes in (B) and attach using a 3/4" hex head bolt, two (2) flat washers, and a loc nut at each hole junction (Fig. 1 & 2). We will refer to this as segment **1**.
3. Assemble segment **2** by connecting remaining sections in the same manner as segment **1**.
4. Connect the two sections to each other using a 3/4" hex head bolt, two (2) flat washers, and a loc nut at each mating hole (Fig. 2 & 3). **Note:** When assembled, both ends should have a flange all around the opening.



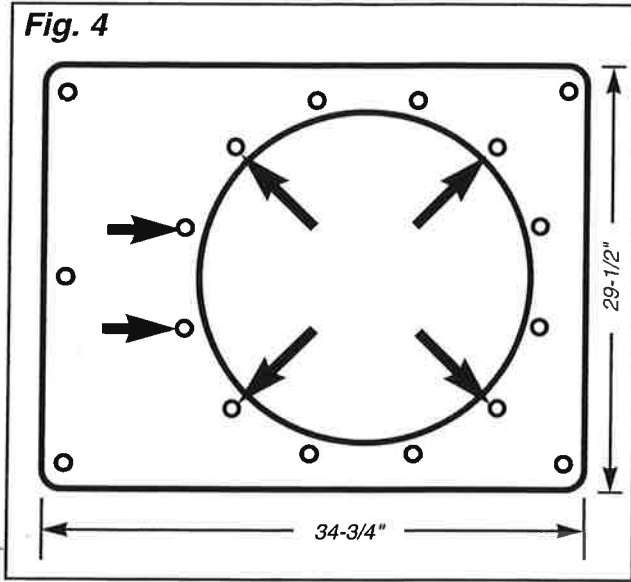
Assembly Instructions

(Twin Towers & Twin Towers Dynasty)

NOTE: When building Tower Tunnel for the Twin Towers *Dynasty* version, attach both mounting panels to the tunnel as shown in figures 6 & 7.

5. Attach the entrance panel to the section **1** end of the tunnel assembly through holes indicated by arrows in Fig. 4. Secure using a 1" hex head bolt, two (2) flat washers, and a loc nut at each junction (Fig. 5).

Fig. 4



6. Attach the remaining entrance panel to the opposite end (section **2**) of the tunnel assembly through holes indicated by arrows in Fig. 6. Secure as before using a 1" hex head bolt, two (2) flat washers, and a loc nut per junction (Fig. 7).

Fig. 6

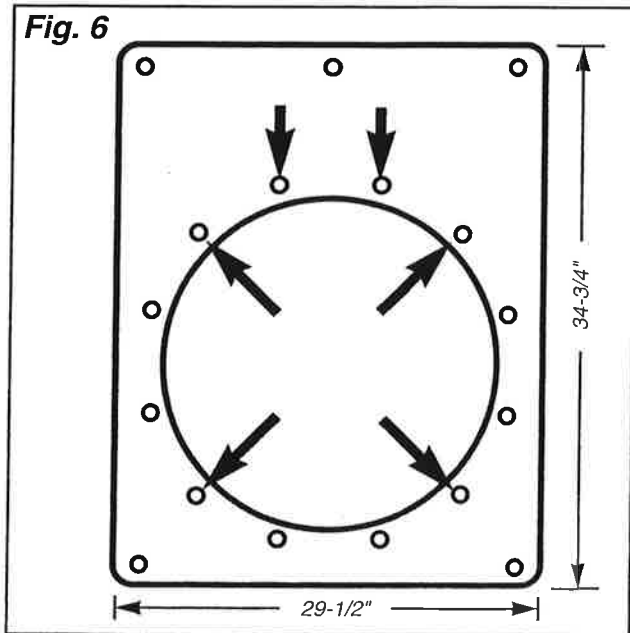


Fig. 5

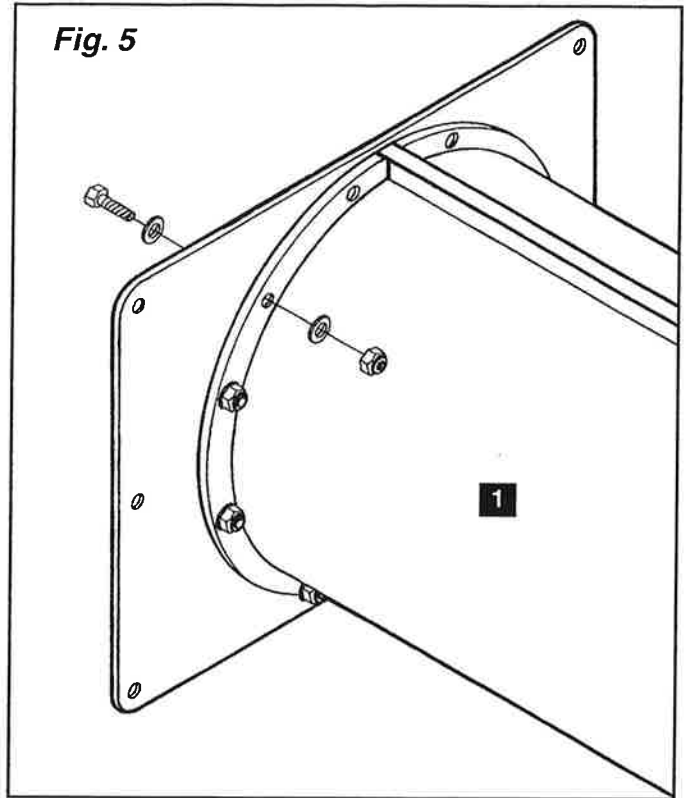
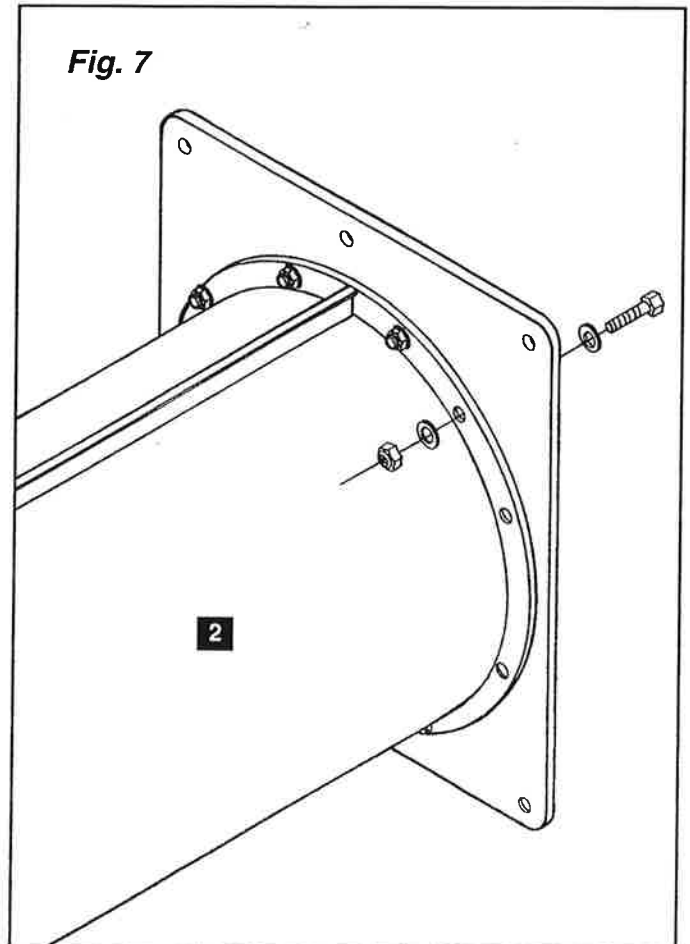


Fig. 7



Assembly Instructions

(Twin Towers & Twin Towers Dynasty)

7. Position tunnel assembly section **1** against framed opening of the Climber Tower. Mark remaining hole locations and drill 1/8" diameter pilot holes approximately 1" deep in the lumber. Attach Tower Tunnel to the unit using eleven (11) 1-1/2" lag bolts and eleven (11) flat washers (Fig. 8).

NOTE: Do not hammer lag bolts.

8. Attach the opposite end of the tunnel (section **2**) to the Platform Tower. Again mark hole locations on the framed opening and drill 1/8" pilot holes approximately 1" deep. Secure tunnel to the unit using eleven (11) 1-1/2" lag bolts and eleven (11) flat washers (Fig. 9). **NOTE:** Do not hammer lag bolts.

NOTE: When attaching the Tower Tunnel to the Twin Towers *Dynasty* version, both ends of the tunnel should be in the upright position as shown in figure 9.

Fig. 8

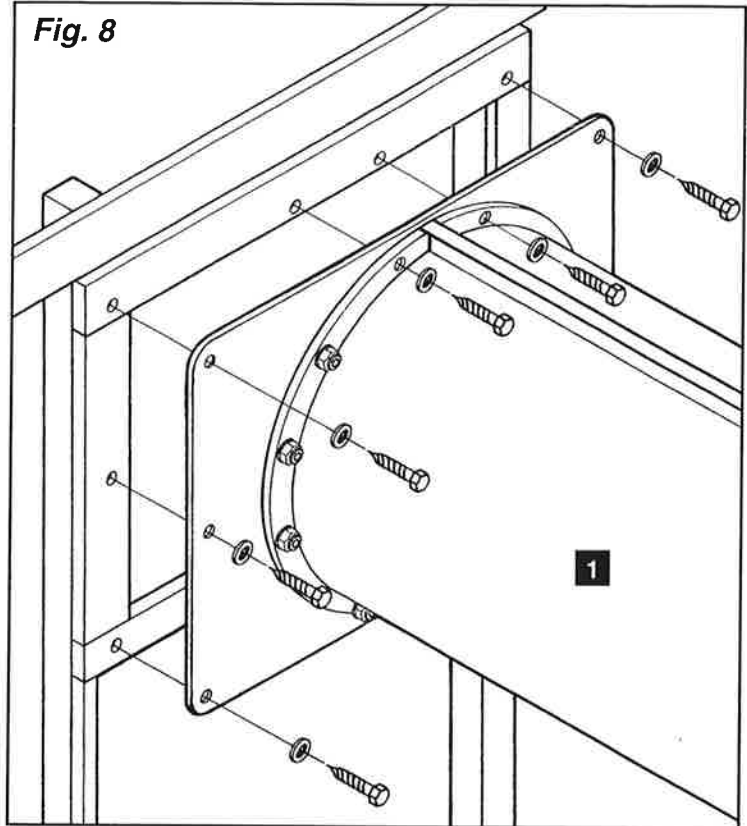
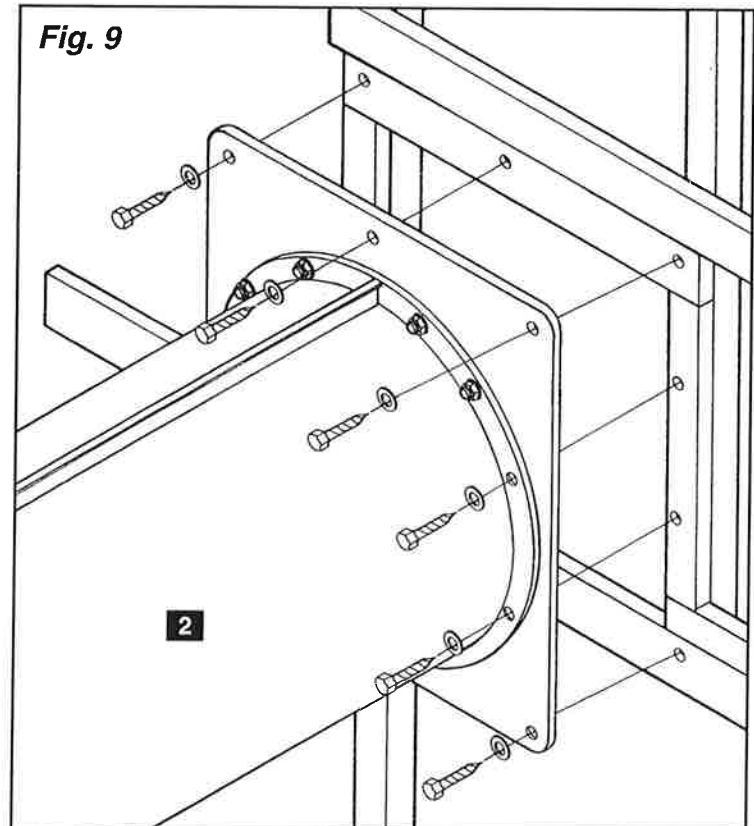


Fig. 9

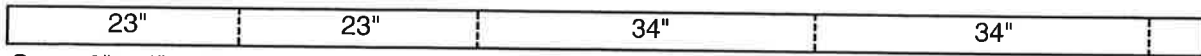


Assembly Instructions (Eagles Nest Clubhouse, Covered Wagon Corral & Play Deck)

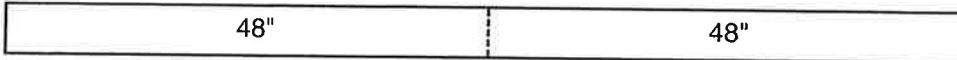
Materials Required:

One Pound - 3" Deck Screws

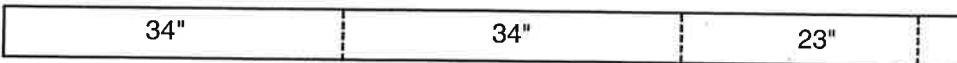
One Pound - 10D Galvanized Nails



One - 2" x 4" x 10'



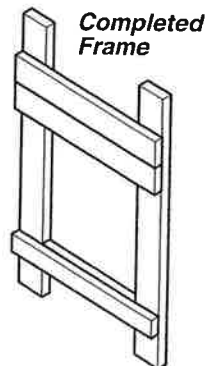
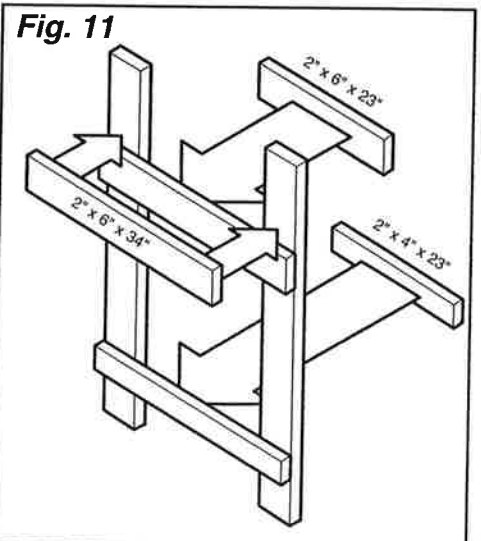
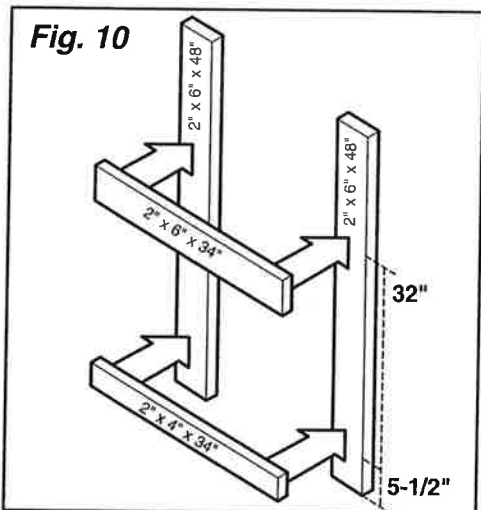
Two - 2" x 6" x 8'



Two - 2" x 6" x 8'

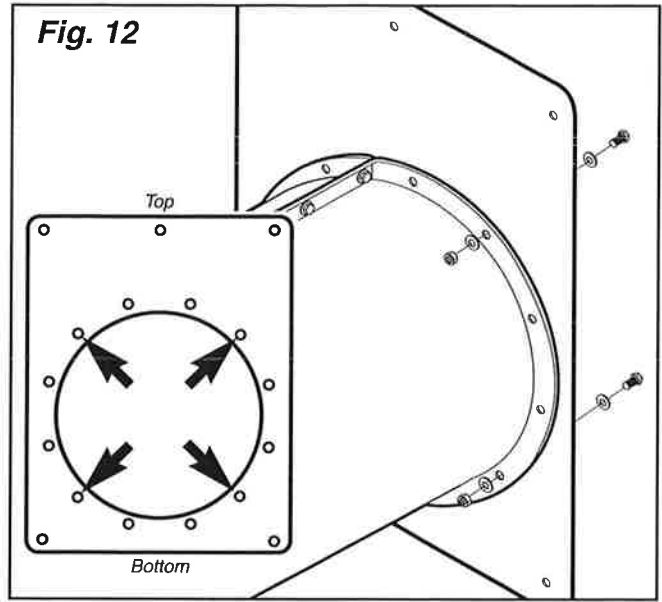
Cut lumber as indicated above

- On two 2" x 6" x 48" boards, measure and mark 5-1/2" and 32" from the bottom end of the board.
- Align a 2" x 4" x 34" so its bottom edge rests at the 5-1/2" marks and its ends are flush to the outside edges of the 2" x 6" x 48" boards. Making sure the boards are square to one another, attach using four 10D galvanized nails at each joint (Fig. 10). **Note:** Blunt the points of the nails by tapping them on a hard surface to help prevent them from splitting the wood.
- In the same manner, attach a 2" x 6" x 34" board so its bottom edge rests at the 32" marks and its ends are flush to the outside of the 2" x 6" x 48" boards. (See Figure 10) Attach using four 10D galvanized nails per joint.
- Place a 2" x 4" x 23" and 2" x 6" x 23" between the 2" x 6" x 48" uprights so their top and bottom edges are flush to their previously attached corresponding boards (Fig. 11). Secure them using six 10D galvanized nails per board.
- Place a 2" x 6" x 34" to the frame so its bottom edge butts to the top of the previously attached 2" x 6" x 34" and its ends are flush to the outside of the 2" x 6" x 48" boards. (See Figure 11) Attach using four 10D galvanized nails per joint.
- Repeat steps 1-6 to build the second tunnel support frame.

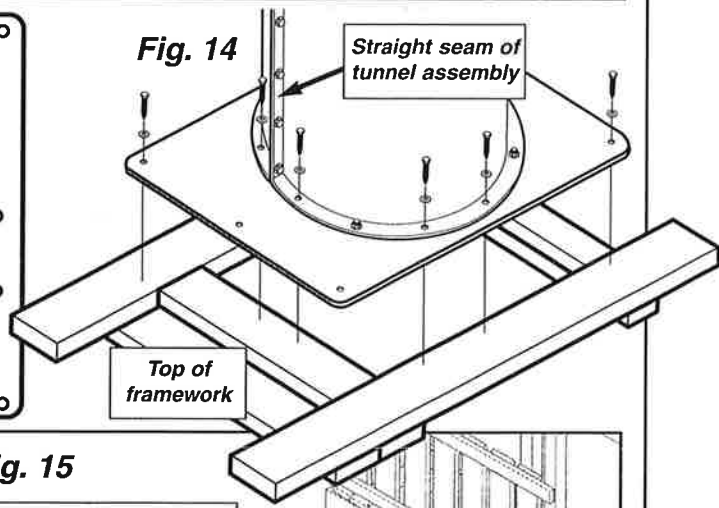
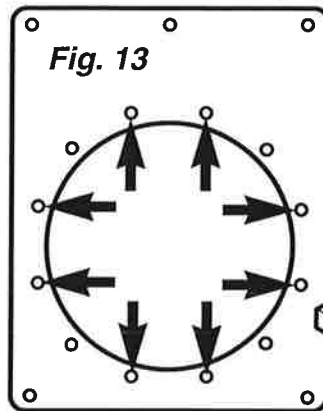


Assembly Instructions (Eagles Nest Clubhouse, Covered Wagon Corral & Play Deck)

- Assemble the Tower Tunnel sections in the same manner as shown in steps 1-4 on page 2.
- Secure the entrance panels to the tunnel assembly through the four holes indicated on the inset illustration of figure 12 using one 1" bolt, two washers and one loc nut per hole (see Fig. 12). **Note:** Align the tunnel assembly to the entrance panels so the straight seams of the tunnel are at the top and bottom of the panels.

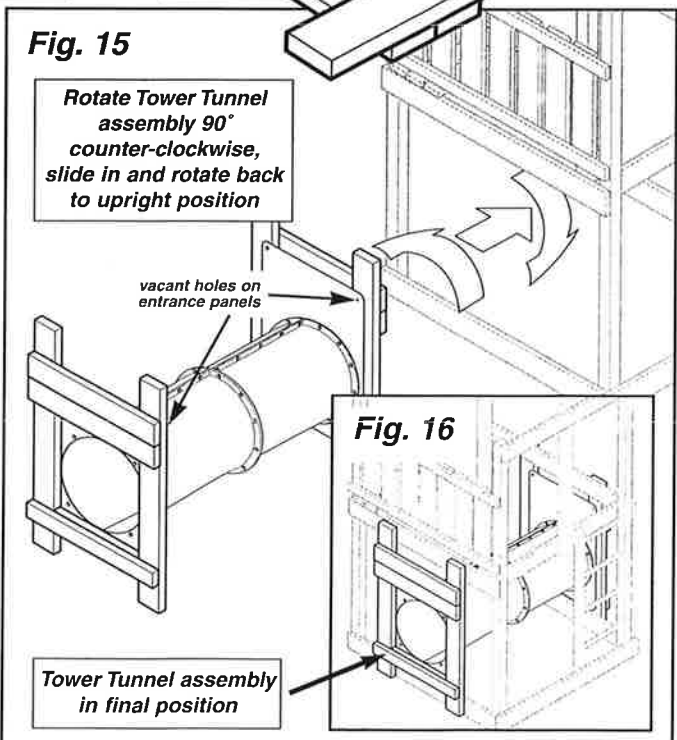


- Place one support frame flat on the ground as shown in Figure 14. With the help of at least one other adult align the tunnel assembly to the support frames so the entrance panels are centered from side to side and the bottom of the panels are flush to the bottom of the 2" x 4" x 23" cross-member. Attach using one lag bolt and washer at three of the four corners of the entrance panels. (**Leave the corner holes indicated in Fig. 15 vacant.**)



- Secure the tunnel assembly to the frame using eight lag bolts and washers (Figures 13 & 14). Repeat this process at the other end.

- With the help of at least two other adults, rotate the tower tunnel assembly 90° counter-clockwise and place under the deck so it straddles the 60" span of the unit's base then return it to its upright position (Fig. 15).



- Center the tower tunnel assembly between the corner posts of the unit (Fig. 16) and secure it using four deck screws per joint. **Note:** You may have to draw the tower tunnel frames to the unit when tightening the screws. (**There should be no gaps between the frames and the unit.**)

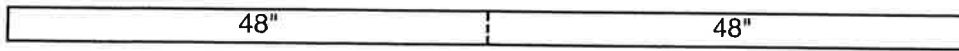
Note: When attaching the tower tunnel assembly to a Play Deck use only three deck screws at the top joints.

- Insert the remaining two lag bolts and washers into the holes left vacant in step 9 and tighten down.

Materials Required:

Two Pounds - 3" Deck Screws

One Pound - 10D Galvanized Nails



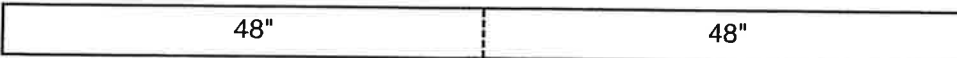
One - 2" x 4" x 8'



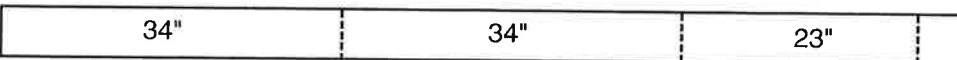
One - 2" x 4" x 10'



One - 2" x 6" x 8'



Two - 2" x 6" x 8'



Two - 2" x 6" x 8'

Cut lumber as indicated above

1. Refer to page 2, steps 1 - 4 and pages 5 & 6, steps 1- 10 for the assembly procedure of the Tower Tunnel with its support frames.
2. Remove the gangplank assembly from your Jolly Roger unit.
3. Remove the two 2" x 4" x 22" boards (these will be re-attached) and the 2" x 6" x 38-1/2" deck support from the unit (will not be re-attached). (See Figure 17) **IMPORTANT NOTE:** Be careful not to damage the deck boards as you remove the 2" x 6" x 38-1/2" deck support. (If your unit is nailed together, a wrecking bar may be useful for this step.)
4. Replace the 2" x 6" x 38-1/2" deck support with the 2" x 6" x 72" and attach using deck screws (Fig. 18).
Note: Use the vacant nail holes as pilot holes for the deck screws (use four per joint at each corner post and center vertical support, plus three more to re-attach the center deck joist).

Fig. 17

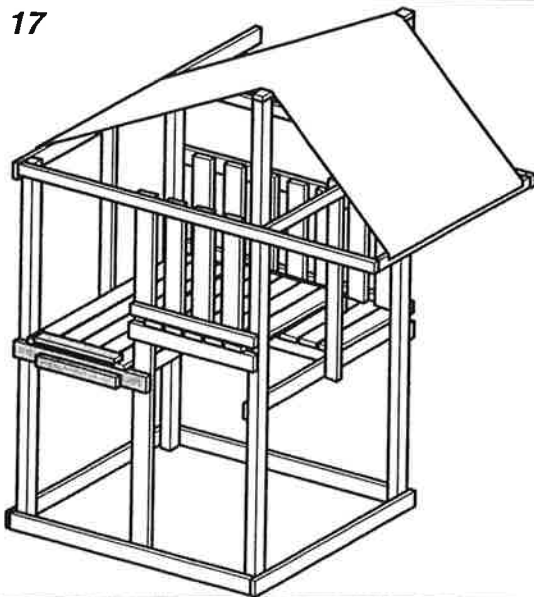
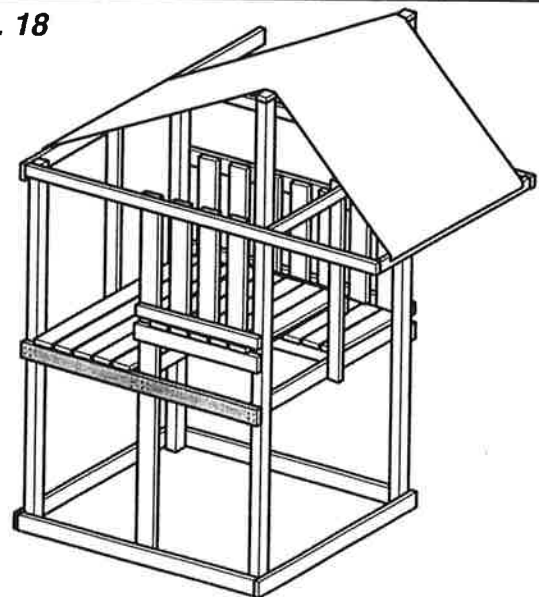


Fig. 18



Assembly Instructions

(Jolly Roger)

5. Using a hand saw, cut the center 2" x 6" vertical support flush to the bottom of the 2" x 6" x 72" deck support and remove the bottom portion of the vertical support. (See Figure 19.)
6. Place a 2" x 4" x 48" spacers to the outside of the unit so it aligns with the inside edge of the corner post as indicated in Figure 20. Secure it using four 10D nails per joint. Repeat this step on the opposite side of the unit at the corresponding corner.
7. Refer to page 6, step 11 on proper placement procedure of the tower tunnel assembly.
8. Slide the tower tunnel assembly over so it butts against the 2" x 4" x 48" spacers (Fig. 20) and secure it using four deck screws per joint. **Note:** You may have to draw the tower tunnel frames to the unit when tightening the screws. **(There should be no gaps between the frames and the unit.)**
9. Re-attach the ends of the deck boards to the 2" x 6" x 72" deck support and the two 2" x 4" x 22" boards removed in step 1 using deck screws for added strength. **Note:** Use the vacant nail holes as pilot holes for the deck screws.
10. Re-attach the gangplank assembly.

Fig. 19

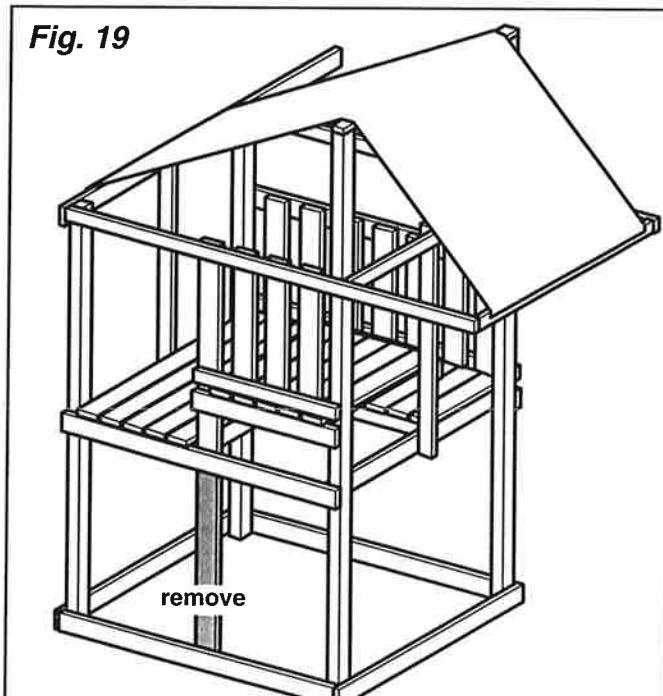
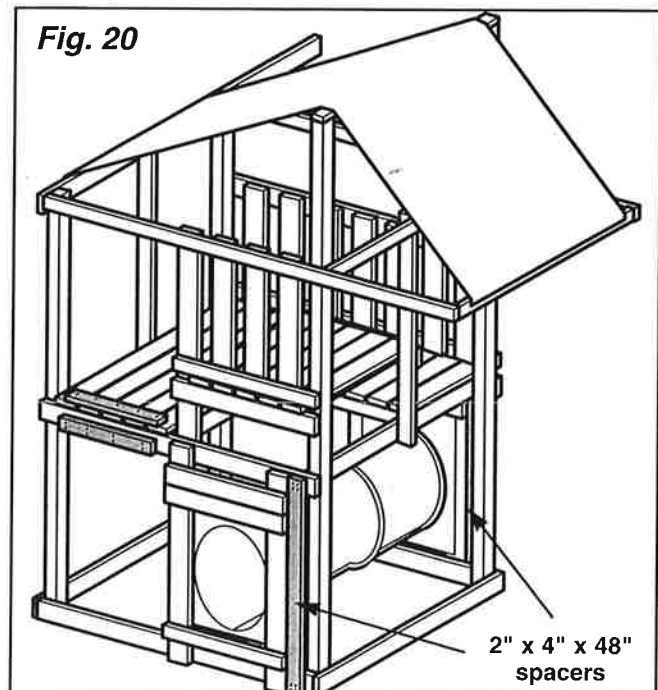


Fig. 20



Swing-N-Slide®

1212 barberry drive, janesville, wisconsin 53545
1-800-888-1232